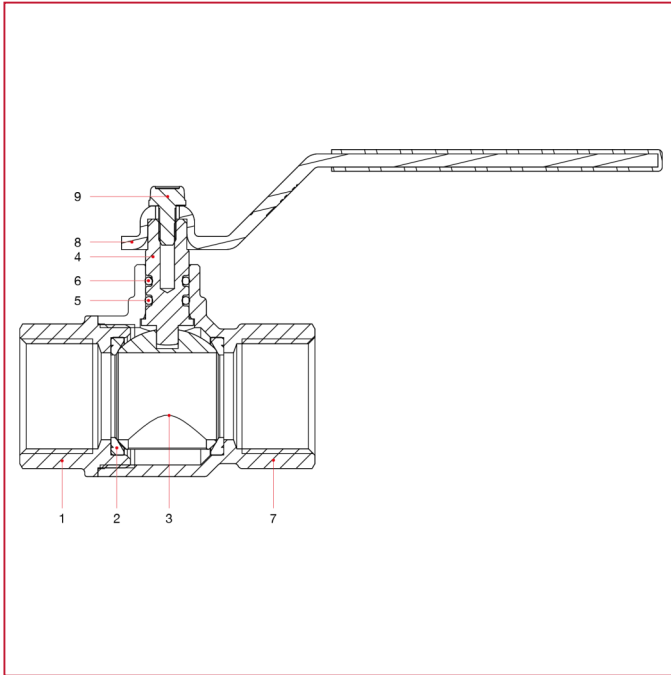




# ECOLOGICAL BALL VALVES: GREEN DVGW

## 376 Green DVGW ball valve, full flow

### MATERIALS



POS.	DESCRIPTION	N.	MATERIAL
1	Female end adapter	1	Nickel-plated brass CW510L
2	Seat	2	P.T.F.E.
3	Ball	1	Chrome-plated brass CW510L
4	Stem	1	Brass CW510L
5	O-ring	1	NBR
6	O-ring	1	Viton®
7	Body	1	Nickel-plated brass CW510L
8	Flat lever handle	1	Zinc-plated and plastic coated steel P04
9	Screw	1	Zinc-plated steel C4C