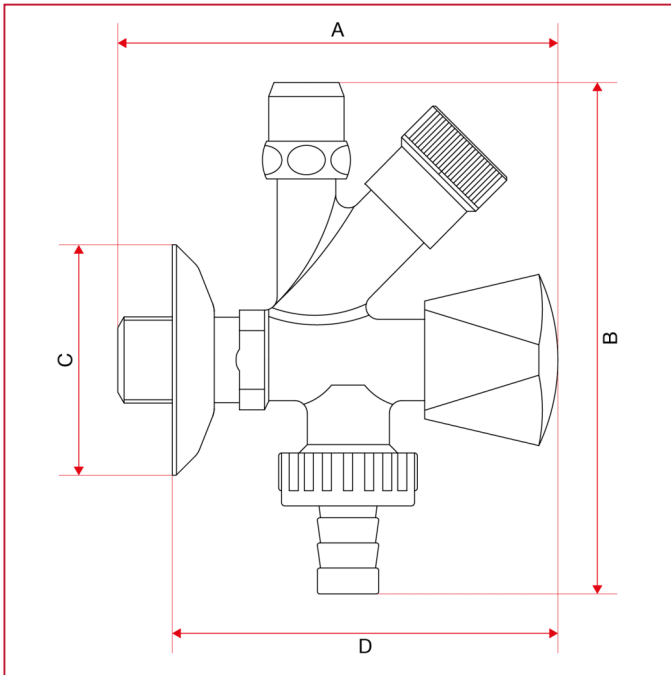




## 387 Supply stop and washing machine valve

### OVERALL DIMENSIONS



	1/2"
A	105
B	116
C	56
D	87
Kg/cm <sup>2</sup> bar	8
LBS - psi	116