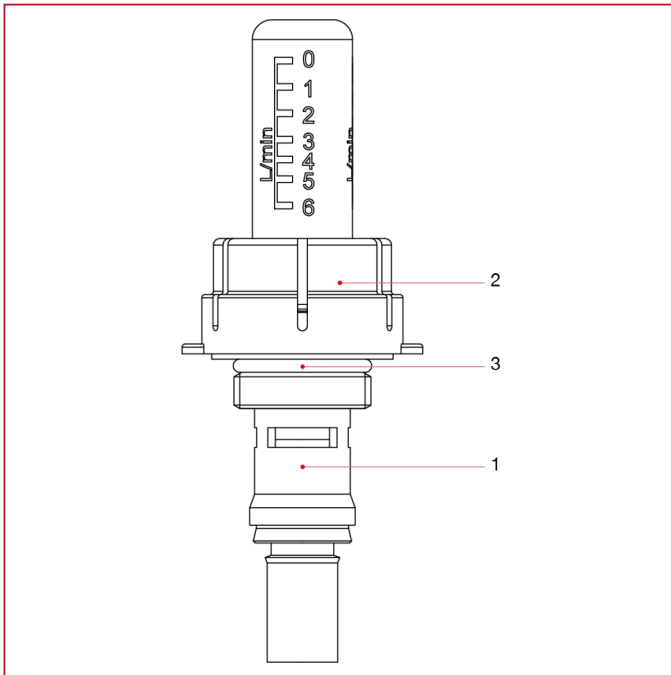




## ACCESSORIES FOR MANIFOLDS

### 471FL Flow meter

#### MATERIALS



POS.	DESCRIPTION	N.	MATERIAL
1	Fitting	1	Brass CW617N
2	Component	1	Ultramid A3K
3	O-ring	1	EPDM