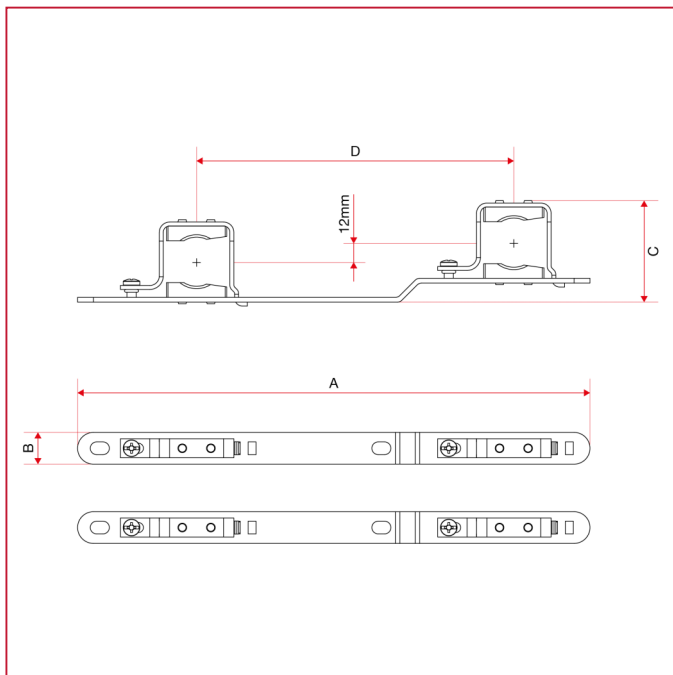




METAL BOXES FOR MANIFOLDS

498ST Mounting brackets in steel for metal boxes art. 498 and 498R

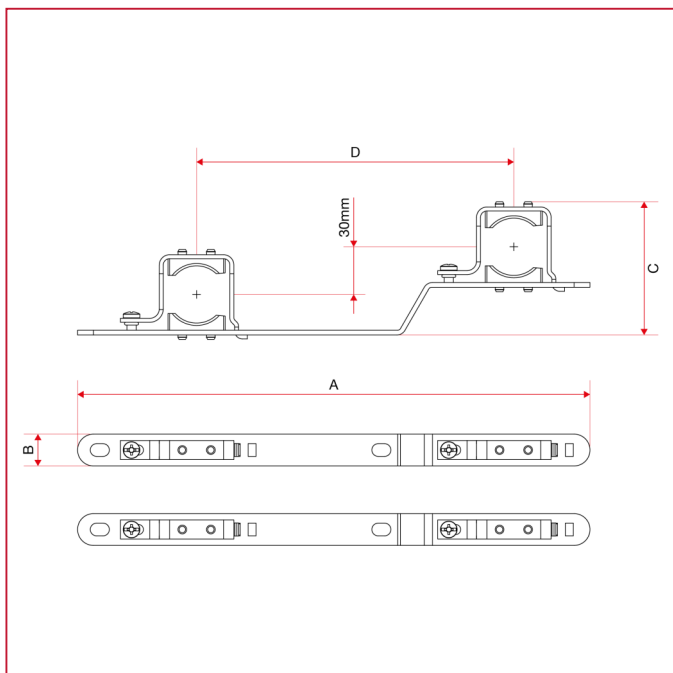
OVERALL DIMENSIONS art.498STK



498STK

	1"
A	323
B	20
C	66
D	200

OVERALL DIMENSIONS art.498STKM



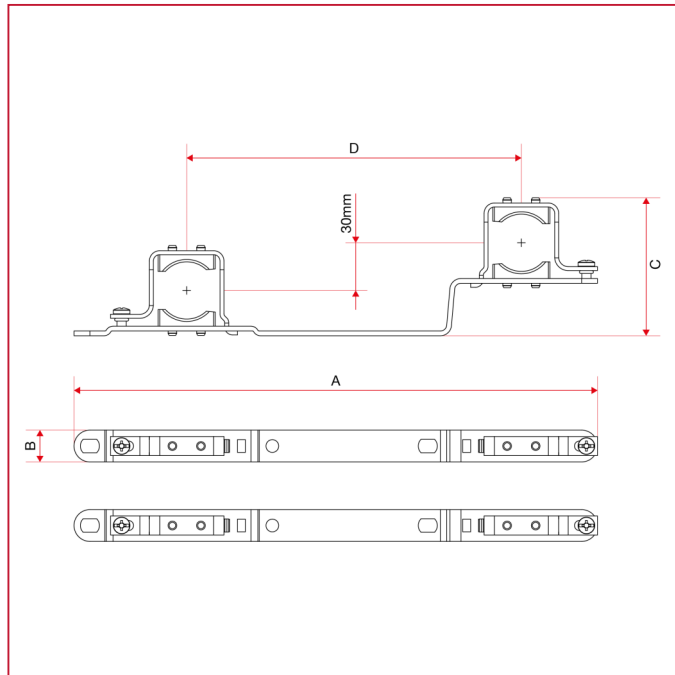


METAL BOXES FOR MANIFOLDS

498STKM

	1"
A	323
B	20
C	84
D	200

OVERALL DIMENSIONS art.498STKMB



498STKMB

	1"
A	330
B	20
C	87
D	211