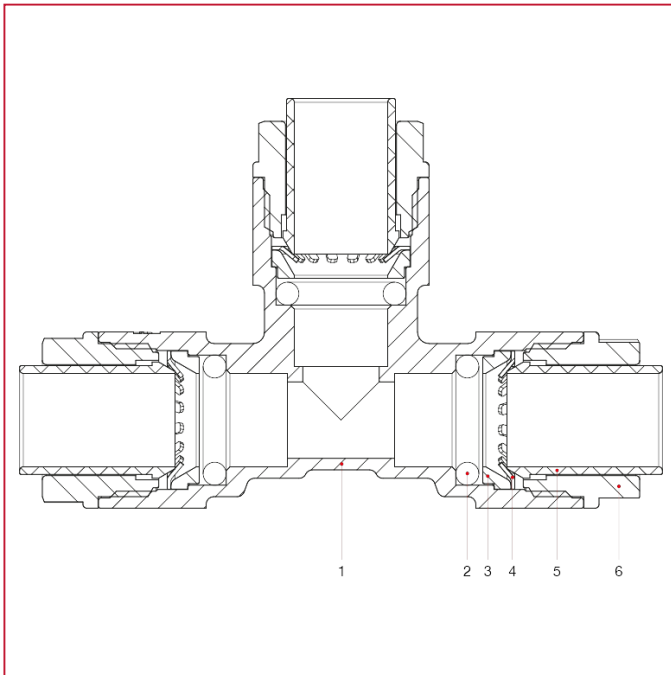




# ITAP-FIT<sup>®</sup> FITTINGS

## 630 Equal T coupling

### MATERIALS



POS.	DESCRIPTION	N.	MATERIAL
1	Body	1	Brass CW625N
2	O-ring	3	EPDM
3	Spacer	3	NIRETAN A EXL SC
4	Fastening ring	3	Stainless steel AISI 301
5	Release collar	3	GRIVORY GV-5H
6	End adapter	3	GRIVORY GV-5H