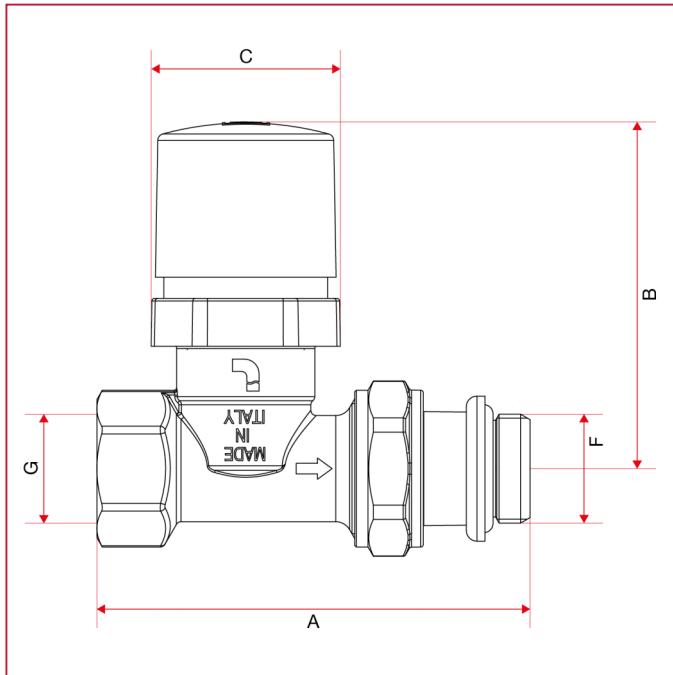




温控阀和锁闭阀

894V 带手柄内牙螺纹直型温控阀

总尺寸



| | 3/8" | 1/2" |
|------------------------|------|------|
| DN | 10 | 15 |
| A | 75,5 | 81,5 |
| B | 65,3 | 65,3 |
| C | 35,6 | 35,6 |
| F | 3/8" | 1/2" |
| G | 3/8" | 1/2" |
| Kg/cm ² bar | 10 | 10 |
| LBS - psi | 145 | 145 |