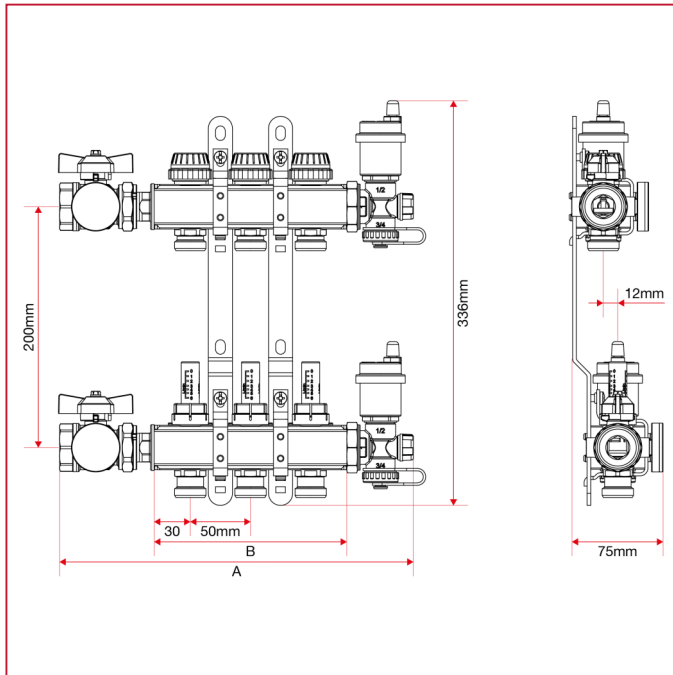




# COLLETTORI PREMONTATI IN OTTONE NICHELATO

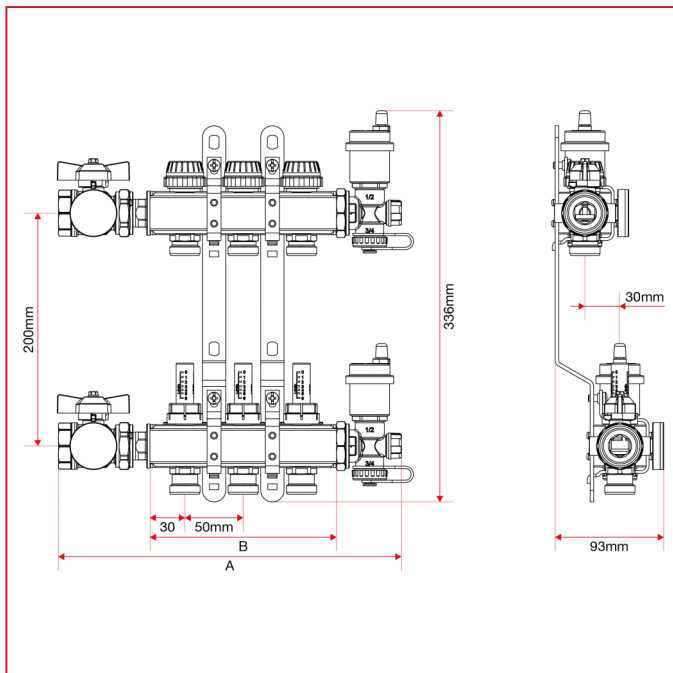
## 905C Collettore premontato completo con flussimetri

### INGOMBRI art.905C



	1"x3/4"x	1"x3/4"x	1"x3/4"x	1"x3/4"x	1"x3/4"x	1"x3/4"x	1"x3/4"x	1"x3/4"x	1"x3/4"x	1"x3/4"x	1"x3/4"x	1"x3/4"x
	2	3	4	5	6	7	8	9	10	11	12	13
A	244	294	344	394	444	494	544	594	644	694	744	794
B	110	160	210	260	310	360	410	460	510	560	610	660
Kg/cm <sup>2</sup> bar	6	6	6	6	6	6	6	6	6	6	6	6
LBS - psi	87	87	87	87	87	87	87	87	87	87	87	87

### INGOMBRI art.90580C



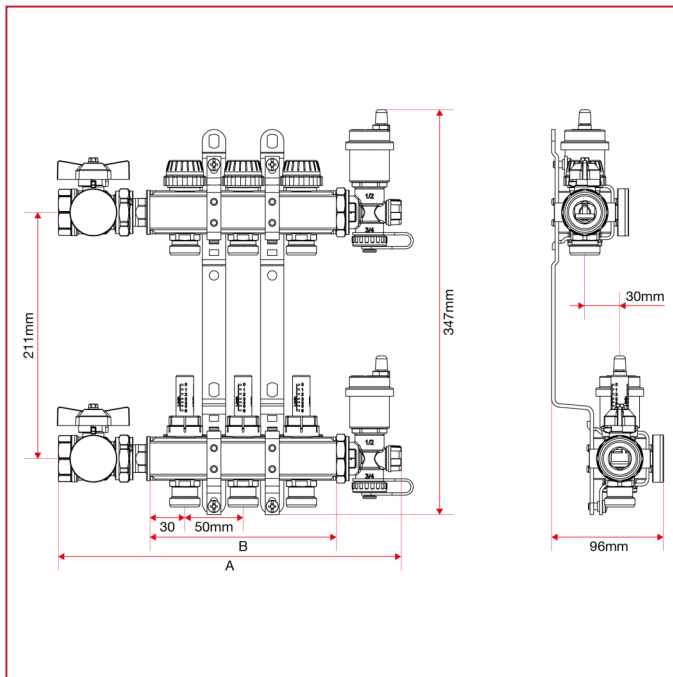


# COLLETTORI PREMONTATI IN OTTONE NICHELATO

## 90580C

	1"x3/4"x 2	1"x3/4"x 3	1"x3/4"x 4	1"x3/4"x 5	1"x3/4"x 6	1"x3/4"x 7	1"x3/4"x 8	1"x3/4"x 9	1"x3/4"x 10	1"x3/4"x 11	1"x3/4"x 12	1"x3/4"x 13
<b>A</b>	244	294	344	394	444	494	544	594	644	694	744	794
<b>B</b>	110	160	210	260	310	360	410	460	510	560	610	660
<b>Kg/cm<sup>2</sup> bar</b>	6	6	6	6	6	6	6	6	6	6	6	6
<b>LBS - psi</b>	87	87	87	87	87	87	87	87	87	87	87	87

## INGOMBRI art.90590C



## 90590C

	1"x3/4"x 2	1"x3/4"x 3	1"x3/4"x 4	1"x3/4"x 5	1"x3/4"x 6	1"x3/4"x 7	1"x3/4"x 8	1"x3/4"x 9	1"x3/4"x 10	1"x3/4"x 11	1"x3/4"x 12	1"x3/4"x 13
<b>A</b>	244	294	344	394	444	494	544	594	644	694	744	794
<b>B</b>	110	160	210	260	310	360	410	460	510	560	610	660
<b>Kg/cm<sup>2</sup> bar</b>	6	6	6	6	6	6	6	6	6	6	6	6
<b>LBS - psi</b>	87	87	87	87	87	87	87	87	87	87	87	87