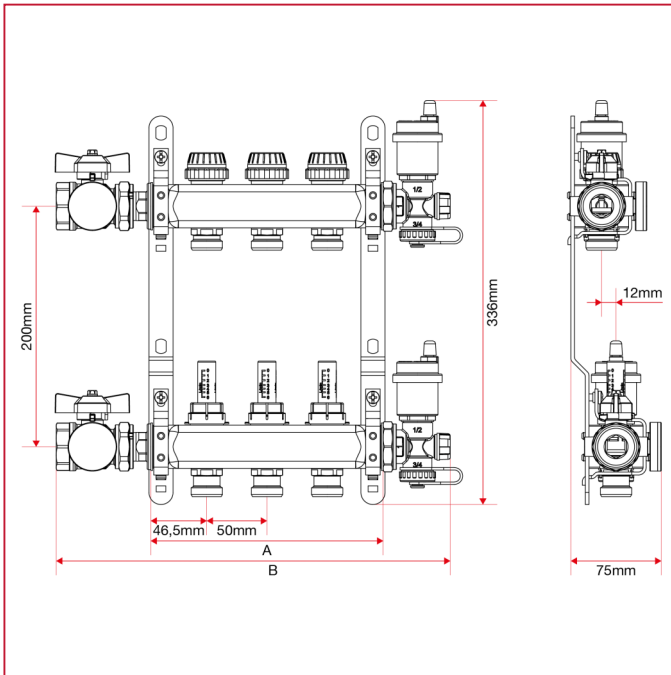




# COLLETTORI PREMONTATI IN ACCIAIO INOX

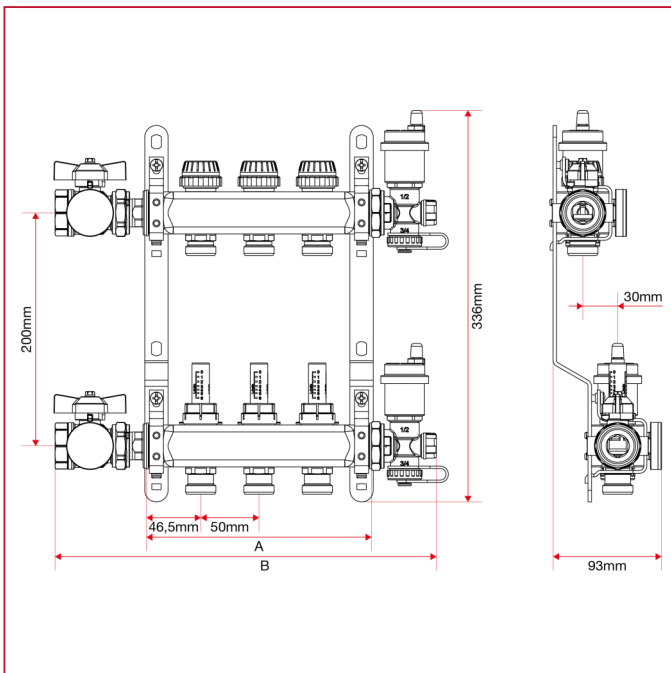
## 907C Collettore premontato completo con flussimetri

### INGOMBRI art.907C



	1"x3/4"x	1"x3/4"x	1"x3/4"x	1"x3/4"x	1"x3/4"x	1"x3/4"x	1"x3/4"x	1"x3/4"x	1"x3/4"x	1"x3/4"x	1"x3/4"x	1"x3/4"x
	2	3	4	5	6	7	8	9	10	11	12	13
A	143	193	243	293	343	393	443	493	543	593	643	693
B	277	327	377	427	477	527	577	627	677	727	777	827
Kg/cm <sup>2</sup> bar	6	6	6	6	6	6	6	6	6	6	6	6
LBS - psi	87	87	87	87	87	87	87	87	87	87	87	87

### INGOMBRI art.90780C



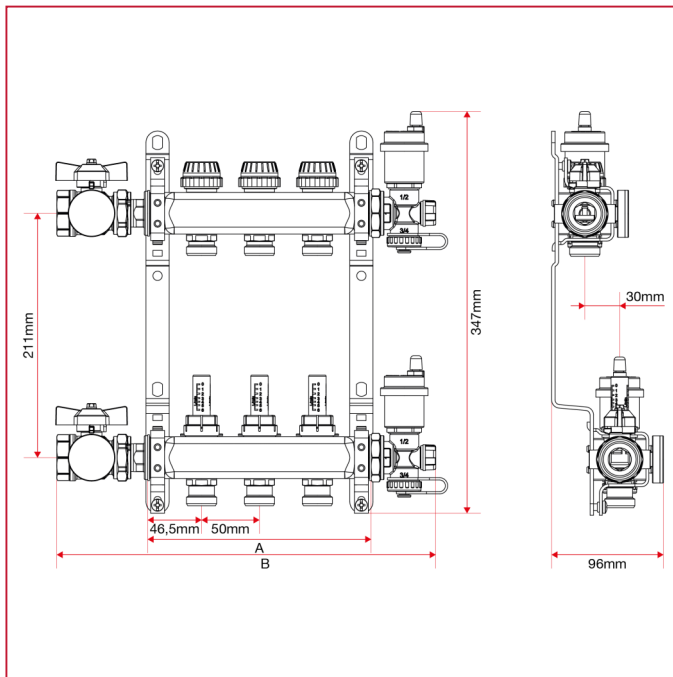


# COLLETTORI PREMONTATI IN ACCIAIO INOX

## 90780C

	1"x3/4"x 2	1"x3/4"x 3	1"x3/4"x 4	1"x3/4"x 5	1"x3/4"x 6	1"x3/4"x 7	1"x3/4"x 8	1"x3/4"x 9	1"x3/4"x 10	1"x3/4"x 11	1"x3/4"x 12	1"x3/4"x 13
<b>A</b>	143	193	243	293	343	393	443	493	543	593	643	693
<b>B</b>	277	327	377	427	477	527	577	627	677	727	777	827
<b>Kg/cm2 bar</b>	6	6	6	6	6	6	6	6	6	6	6	6
<b>LBS - psi</b>	87	87	87	87	87	87	87	87	87	87	87	87

## INGOMBRI art.90790C



## 90790C

	1"x3/4"x 2	1"x3/4"x 3	1"x3/4"x 4	1"x3/4"x 5	1"x3/4"x 6	1"x3/4"x 7	1"x3/4"x 8	1"x3/4"x 9	1"x3/4"x 10	1"x3/4"x 11	1"x3/4"x 12	1"x3/4"x 13
<b>A</b>	143	193	243	293	343	393	443	493	543	593	643	693
<b>B</b>	277	327	377	427	477	527	577	627	677	727	777	827
<b>Kg/cm2 bar</b>	6	6	6	6	6	6	6	6	6	6	6	6
<b>LBS - psi</b>	87	87	87	87	87	87	87	87	87	87	87	87