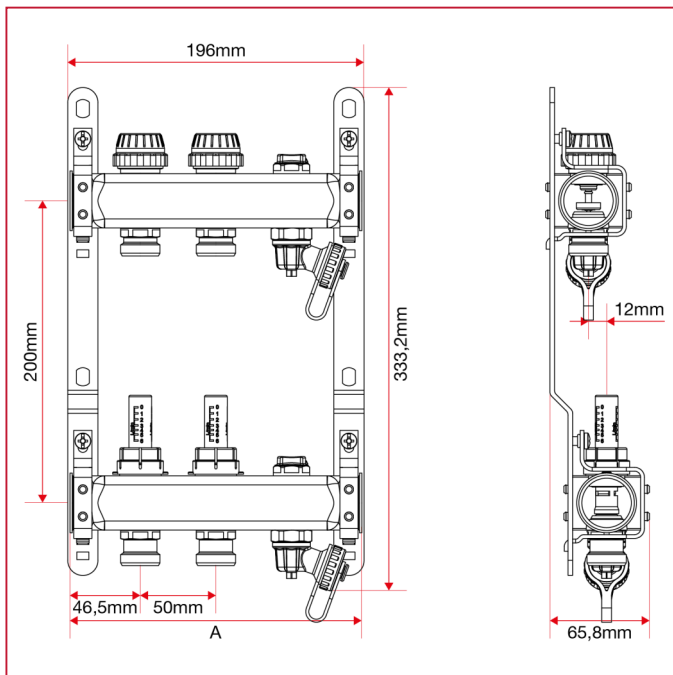




# COLLETTORI PREMONTATI IN ACCIAIO INOX

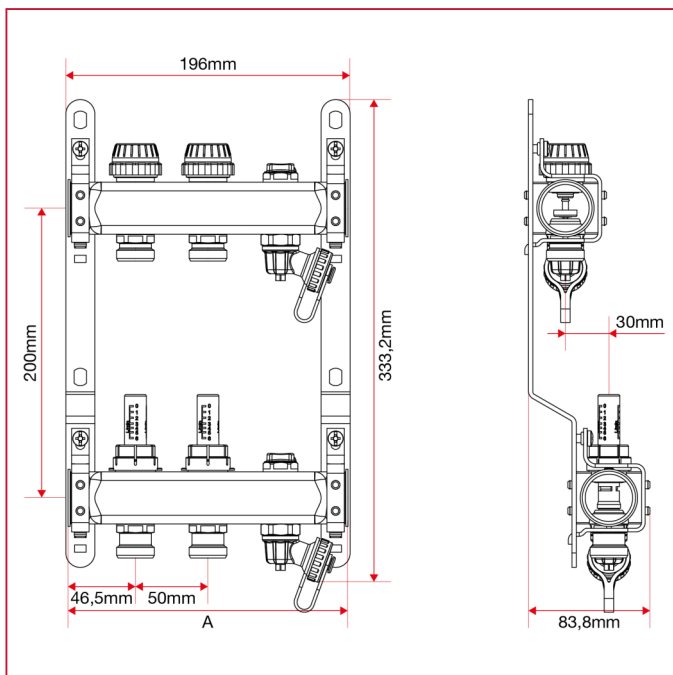
## 917CDE Collettore premontato con flussimetri, scarico e sfiato

### INGOMBRI art.917CDE



	1"x3/4"x 2	1"x3/4"x 3	1"x3/4"x 4	1"x3/4"x 5	1"x3/4"x 6	1"x3/4"x 7	1"x3/4"x 8	1"x3/4"x 9	1"x3/4"x 10	1"x3/4"x 11	1"x3/4"x 12
A	193	243	293	343	393	443	493	543	593	643	693
Kg/cm2 bar	6	6	6	6	6	6	6	6	6	6	6
LBS - psi	87	87	87	87	87	87	87	87	87	87	87

### INGOMBRI art.91780CDE



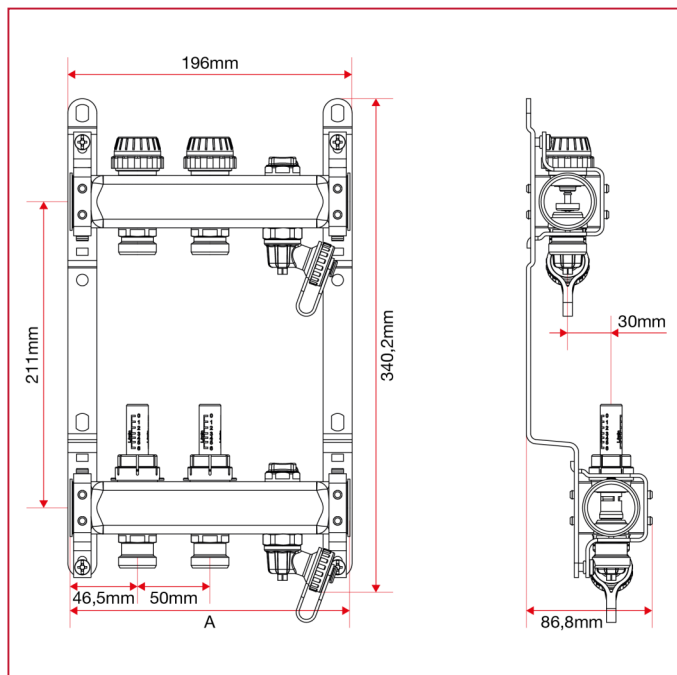


# COLLETTORI PREMONTATI IN ACCIAIO INOX

## 91780CDE

	1"x3/4"x 2	1"x3/4"x 3	1"x3/4"x 4	1"x3/4"x 5	1"x3/4"x 6	1"x3/4"x 7	1"x3/4"x 8	1"x3/4"x 9	1"x3/4"x 10	1"x3/4"x 11	1"x3/4"x 12
<b>A</b>	193	243	293	343	393	443	493	543	593	643	693
<b>Kg/cm2 bar</b>	6	6	6	6	6	6	6	6	6	6	6
<b>LBS - psi</b>	87	87	87	87	87	87	87	87	87	87	87

## INGOMBRI art.91790CDE



## 91790CDE

	1"x3/4"x 2	1"x3/4"x 3	1"x3/4"x 4	1"x3/4"x 5	1"x3/4"x 6	1"x3/4"x 7	1"x3/4"x 8	1"x3/4"x 9	1"x3/4"x 10	1"x3/4"x 11	1"x3/4"x 12
<b>A</b>	193	243	293	343	393	443	493	543	593	643	693
<b>Kg/cm2 bar</b>	6	6	6	6	6	6	6	6	6	6	6
<b>LBS - psi</b>	87	87	87	87	87	87	87	87	87	87	87