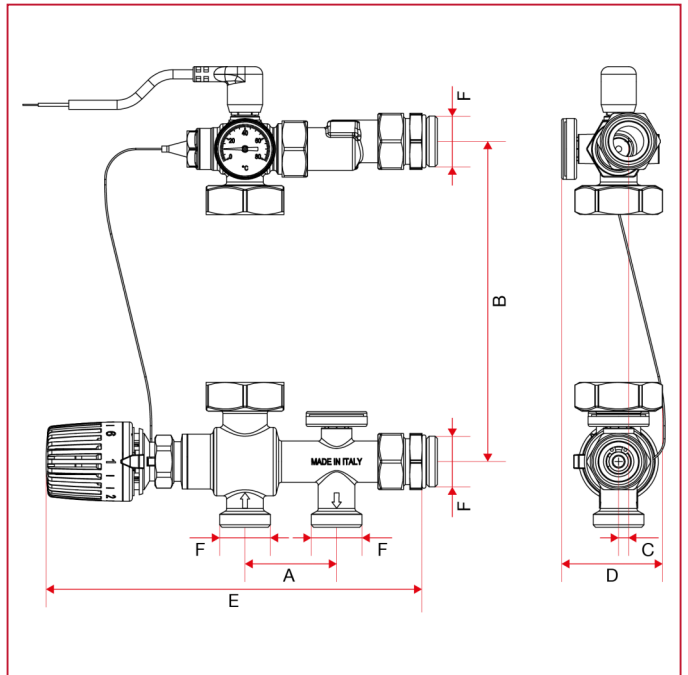
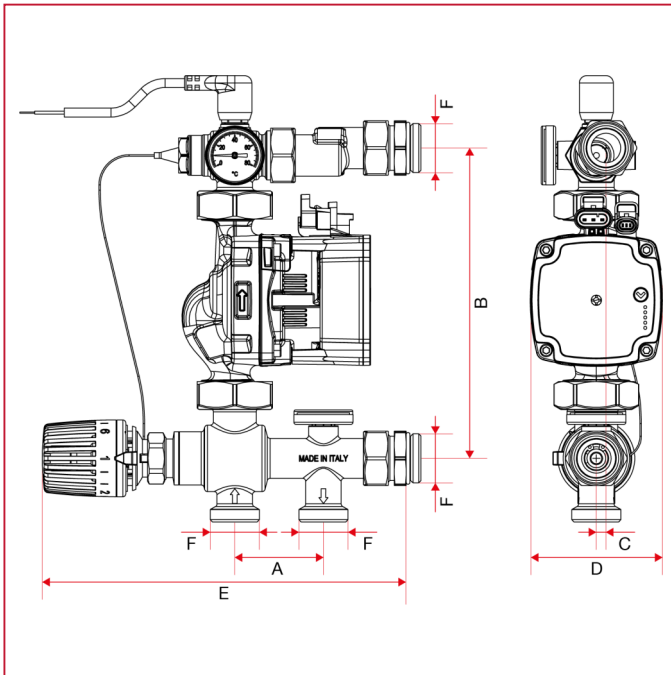




SET POINT REGULATING UNIT

949 Set point regulating unit

OVERALL DIMENSIONS



949CPF

	1"
A	60
B	200 - 210
C	6,5
D	90
E	250
F	1" M ISO228
Kg/cm ² bar	6
LBS - psi	87

949SPF

	1"
A	60
B	200-210
C	6,5
D	66
E	250
F	1" M ISO228
Kg/cm ² bar	6
LBS - psi	87