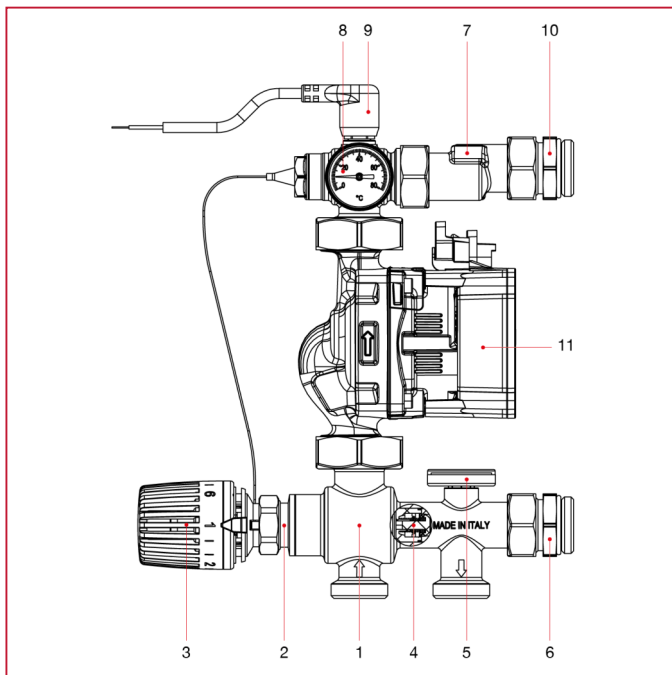




SET POINT REGULATING UNIT

949 Set point regulating unit

MATERIALS



POS.	DESCRIPTION	N.	MATERIAL
1	Mixing valve	1	Nickel-plated brass
2	Bonnet M30 x 1,5	1	Brass
3	Thermostatic control	1	ABS
4	Check Valve	1	POM
5	Return circuit temperature gauge	1	ABS
6	Return circuit connection	1	Brass
7	Offset supply manifold	1	Nickel-plated brass
8	Supply circuit temperature gauge	1	ABS
9	Safety thermostat	1	Aluminium
10	Supply circuit connection	1	Brass
11	High efficiency circulator	1	Cast iron