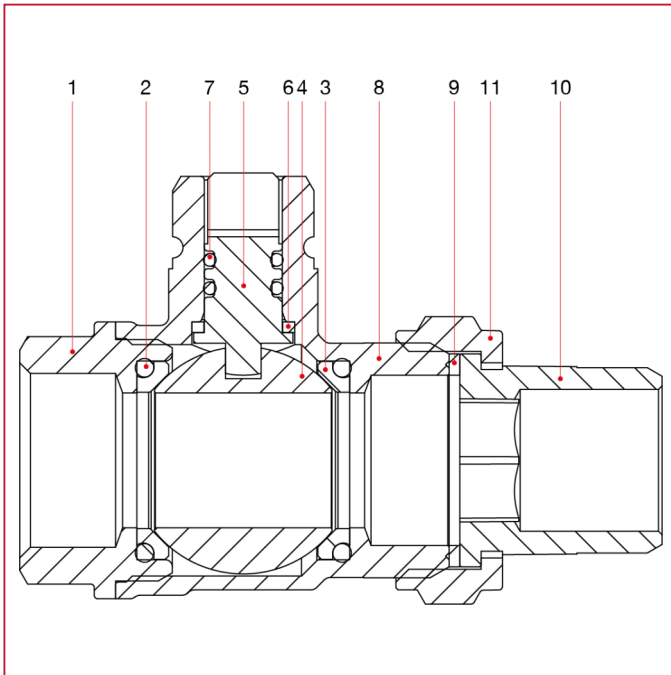




ELECTRIC ACTUATORS AND ZONE BALL VALVES

980 2-way zone ball valve

MATERIALS



POS.	DESCRIPTION	N.	MATERIAL
1	End adapter	1	Nickel-plated brass CW617N
2	O-ring	2	EPDM
3	Seal	2	P.T.F.E.
4	Ball	1	Brass CW617N
5	Stem	1	Brass CW614N
6	Ring	1	P.T.F.E.
7	O-ring	2	EPDM
8	Body	1	Nickel-plated brass CW617N
9	Washer	1	FASIT OMNIA
10	Union	1	Nickel-plated brass CW617N
11	Nut	1	Nickel-plated brass CW617N