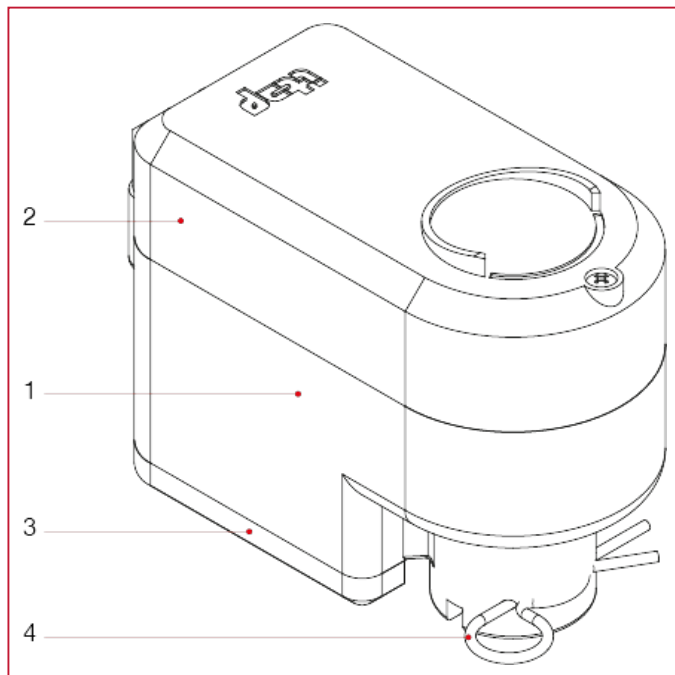




ELECTRIC ACTUATORS AND ZONE BALL VALVES

990 Electric actuator for zone ball valves

MATERIALS



POS.	DESCRIPTION	N.	MATERIAL
1	Base	1	Nylon
2	Up cover	1	Makrolon® 2207
3	Down cover	1	Nylon
4	Split pin	1	EN 10270-3