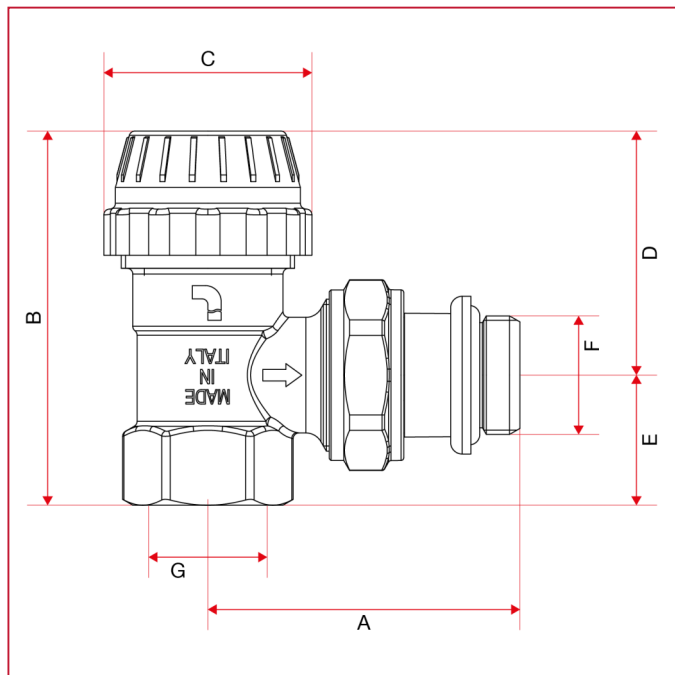




## CONVERTIBLE VALVES AND LOCKSHIELDS

### 994C Angle convertible valve with cap, female thread

#### OVERALL DIMENSIONS



	3/8"	1/2"
DN	10	15
A	50	53,5
B	62,7	64,7
C	36	36
D	42,2	42,2
E	20,5	22,5
F	3/8"	1/2"
G	3/8"	1/2"
Kg/cm <sup>2</sup> bar	10	10
LBS - psi	145	145