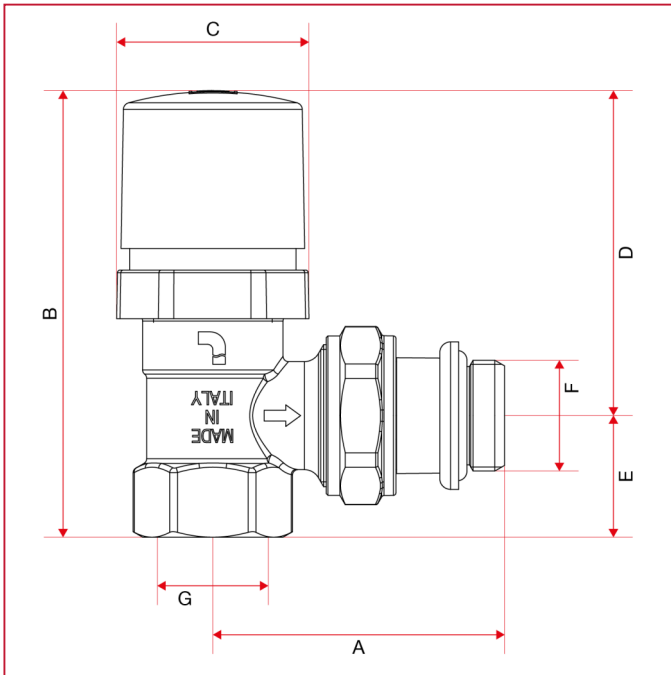




## 温控阀和锁闭阀

### 994V 带手柄内牙角型温控阀

#### 总尺寸



|                        | 3/8" | 1/2" |
|------------------------|------|------|
| DN                     | 10   | 15   |
| A                      | 50   | 53,5 |
| B                      | 80,7 | 82,7 |
| C                      | 35,6 | 35,6 |
| D                      | 60,2 | 60,2 |
| E                      | 20,5 | 22,5 |
| F                      | 3/8" | 1/2" |
| G                      | 3/8" | 1/2" |
| Kg/cm <sup>2</sup> bar | 10   | 10   |
| LBS - psi              | 145  | 145  |