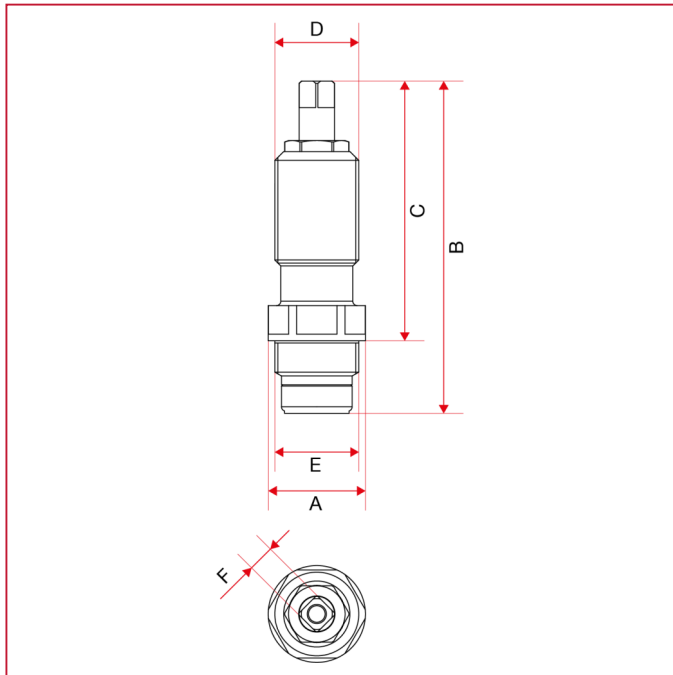




BUILD-IN VALVES AND SUPPLY STOPS

PROL340 Spacer

OVERALL DIMENSIONS



A	22
B	75,5
C	59
D	W19x19F x1
E	W19x19F x1
F	6