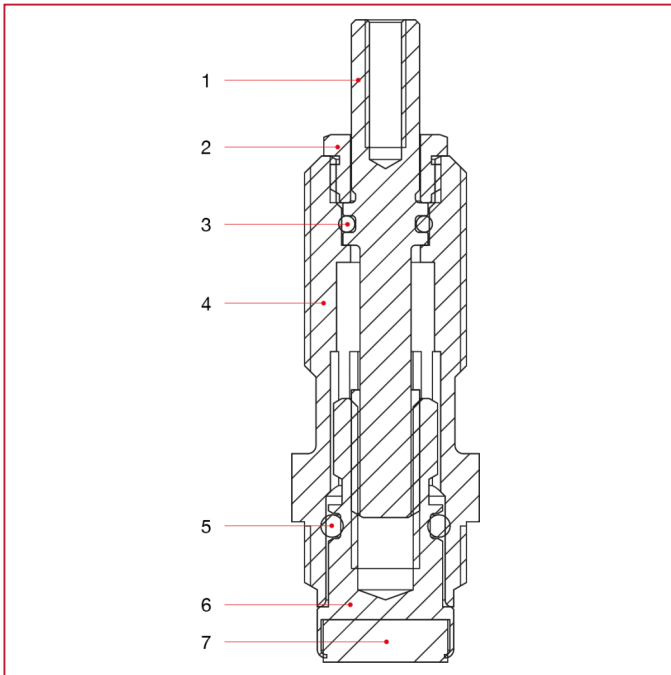




# BUILD-IN VALVES AND SUPPLY STOPS

## PROL340 Spacer

### MATERIALS



POS.	DESCRIPTION	N.	MATERIAL
1	Stem	1	Brass CW614N
2	Stem stop	1	Brass CW614N
3	O-ring	1	NBR
4	Body	1	Brass CW614N
5	O-ring	1	NBR
6	Screw	1	Brass CW614N
7	Cap	1	NBR